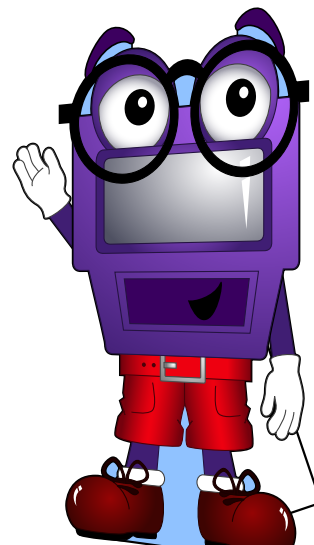
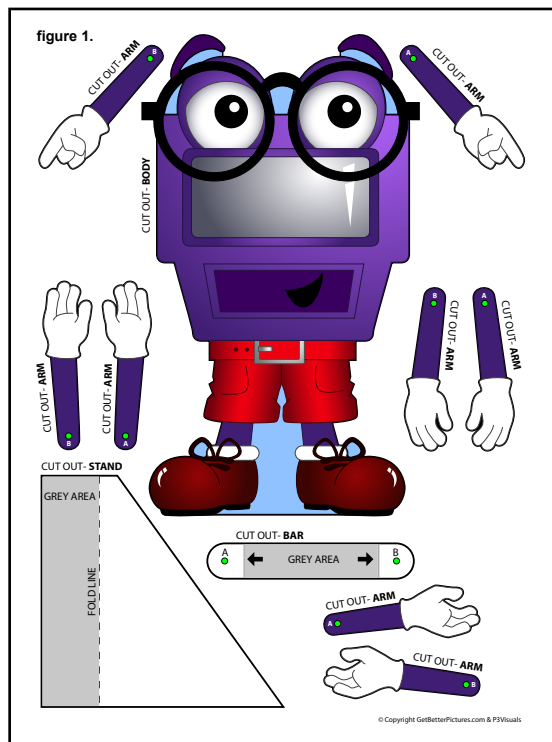


Freddie

Cut Out and animate figure

Instructions and Colour Print Out Figure



Freddie - Cut Out and animate figure

To make your figure you will need:

Access to a printer.

White thick printable Printer Card - or a small Cereal Box and white printable paper.

2x Brass Paper Fasteners.

Sticking Tape.

Glue.

Scissors.

A Ruler

A sharpened Pencil.

1x Drawing Pin or Pin Tack or Push Pin.

Sticky Tack (Blue Tack) or Modelling Clay (Plasticine)

INSTRUCTIONS for making your cut out and animate figure:

1a If you are using **Printable Card** - Print out **Figure 1**. (on PAGE 4) onto the printable card.

Go straight to number 2.

1b If you are using a **Cereal Box** - Open flat the Cereal Box. Place on a flat surface with the coloured side face down.

Print out **Figure 1**. (on PAGE 4) onto the white paper.

Spread glue on the back of the paper making sure you cover the areas where the shapes are.

Press the glued paper on to the card firmly to make sure it sticks.

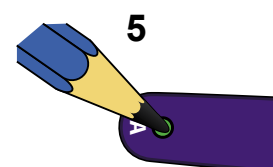
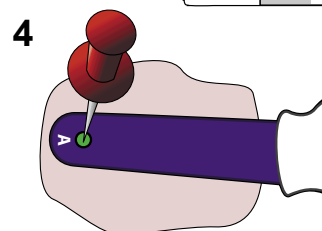
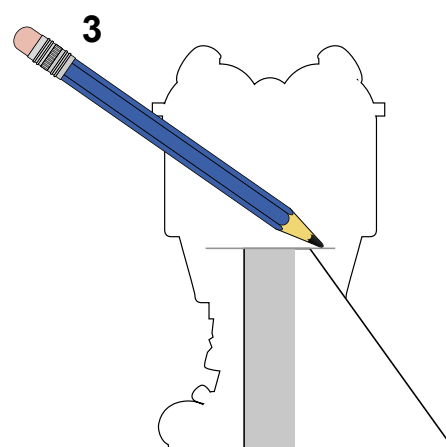
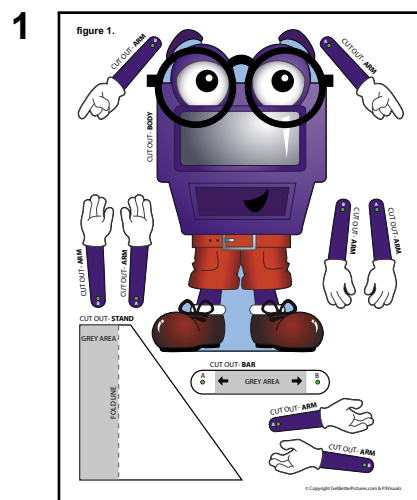
Go to number 2.

2 Carefully cut around all the shapes (marked by the words CUT OUT) making sure you stay close to the black outlines. REMEMBER scissors are sharp so if you struggle ask a parent, guardian, teacher or responsible adult to help you.

3 Turn over the **BODY** of the character so that the coloured side is facing down. Take the **STAND** and line it up to the bottom of the **BODY** (the end with the feet). Use the pencil to mark where the top of the **STAND** is on the **BODY**. Put to one side for later.

4 Take each of the **ARMS** and the **BAR** and one by one place the **GREEN CIRCLE** over the Sticky Tack OR Modelling Clay. Carefully use the Drawing Pin, (Pin Tack or Push Pin) to pierce a small hole through the centre of the **GREEN CIRCLE**.

5 Take the tip of the pencil and push through each of the holes to make them big enough for the Brass Paper Fastener to go through easily. **BE CAREFUL** not to go too big or your Fastener will go right through!



6 Take each of the 4 **ARMS** marked with the Letter **A** and thread them all from the back (none coloured side) onto one of the Brass Paper Fasteners. When done the round head of the Fastener should be at the back and the coloured side of the **ARMS** at the front.

7 Repeat number 6 for all of the **ARMS** marked with the Letter **B**.

8 Take the **BAR** keeping the grey text area facing you and thread the Brass Paper Fastener with the **ARMS** with the Letter **A** on them through the hole marked **A** so that the round head of the Brass Paper Fastener and the none coloured side of the **ARMS** are towards you.

9 Spread open the Brass Paper Fastener flat making sure that you can move the **ARMS**.

10 Repeat Number 9 for all of the **ARMS** marked with the Letter **B** through the hole on the **BAR** marked **B**.

11 Place the **BODY** shape colour face down on the table. Place the **BAR**, with the threaded **ARMS** (coloured **ARMS** facing down), in the middle of the **BODY** and line up the bottom of the **BAR** with the pencil mark you made earlier.

12 Secure the **BAR** in place with sticky tape making sure you only tape down over the grey area so that the **ARMS** are still able to move.

13 Take the **STAND** and using the scissors and a ruler gently score along the **FOLD LINE** and then fold along the same line.

14 Turn the **STAND** over and glue on the back of the grey area only.

15 With the **BODY** still facing down. Carefully line up the grey area of the **STAND** in the middle of the **BODY** making sure that they both line up at the bottom and press firmly so that it sticks down.

16 That's It! You should now be able to **STAND** up your figure and choose which **ARMS** you show by turning the others so that the other are hidden behind the **BODY**.

Now that you have your cut out figure why not take pictures of it in different places and poses and then email the pictures back to Connie and the gang at connie@getbetterpictures.com.

Be creative and see what unusual pictures you can create.
Have Fun.

Connie xx

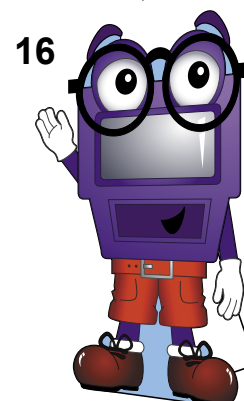
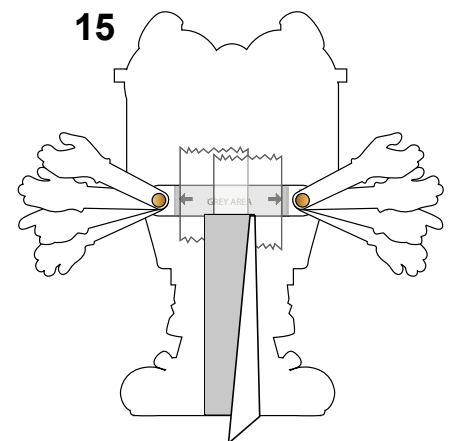
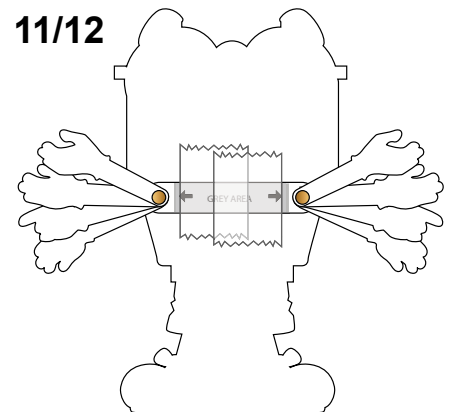
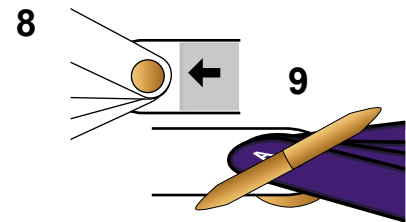
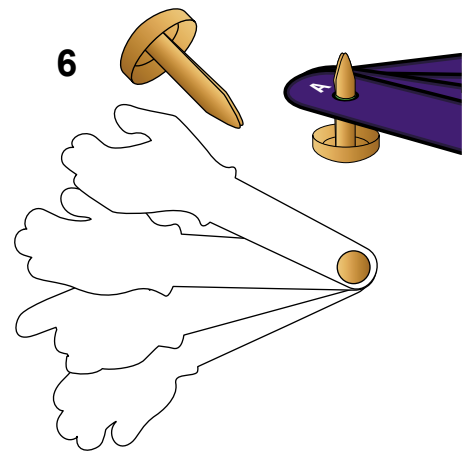


figure 1.

